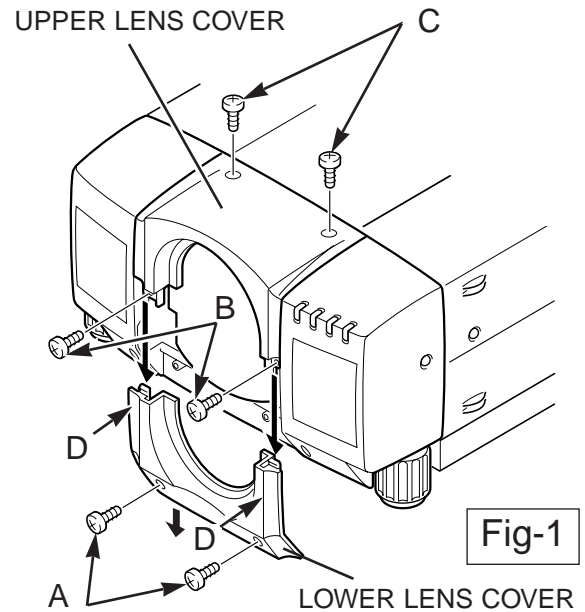


LENS REPLACEMENT AND INSTALLATION PROCEDURE

Perform the steps **1** to **4** for lens replacement and installation.

1 REMOVE THE LENS COVER. (See figure-1)

1. Remove screws A (2 screws).
2. Pull down the lower lens cover while pushing the part D, then remove it.
3. Remove screws B (2 screws).
4. Remove screws C (2 screws) and remove upper lens cover.



2

● IN CASE OF MODEL WITHOUT LENS

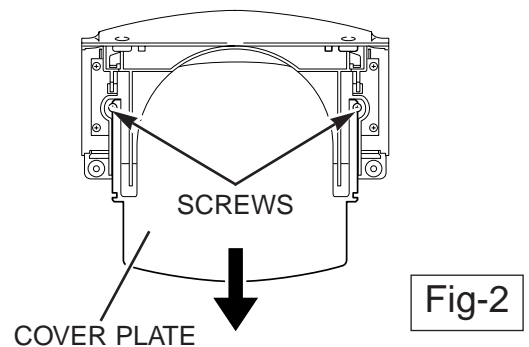
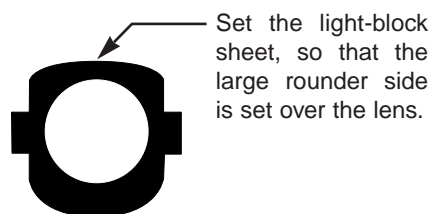
REMOVE THE COVER PLATE OF THE LENS COVER. (See figure-2)

Remove 2 screws and pull down the plate.

(At the step **4**, insert the light-block sheet in the same position as the removed cover plate has been placed. Two screws are not used.)

Use the light-block sheet included with lens.

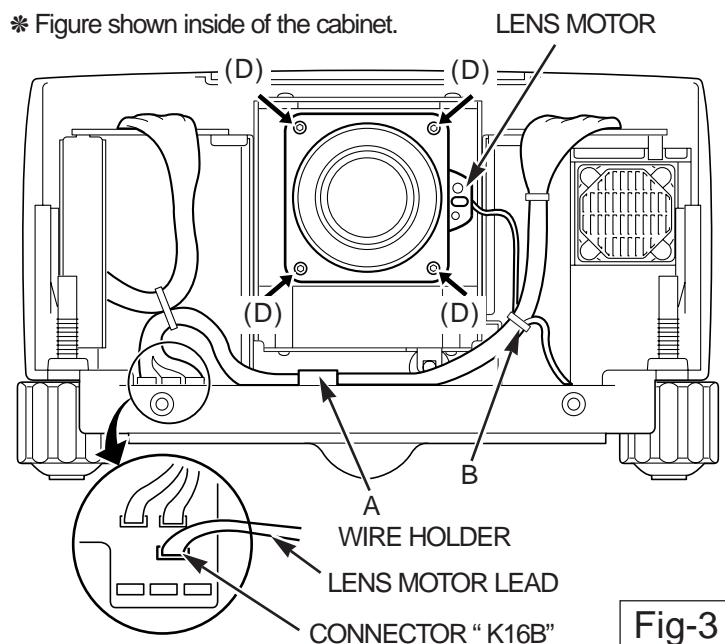
Set the light-block sheet, so that the large rounder side is set over the lens.



● IN CASE OF MODEL WITH LENS

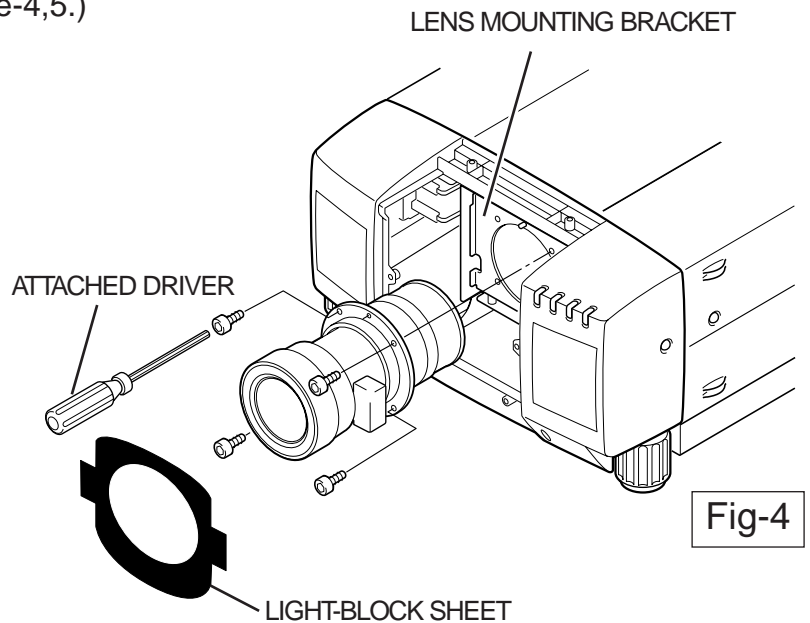
REMOVE THE LENS. (See figure-3.)

1. Remove the connector "K16B" of the circuit board.
2. Loosen the A, B wire holder and remove the lens motor lead.
3. Remove screws D (4 screws) which fastens the lens and remove the lens.

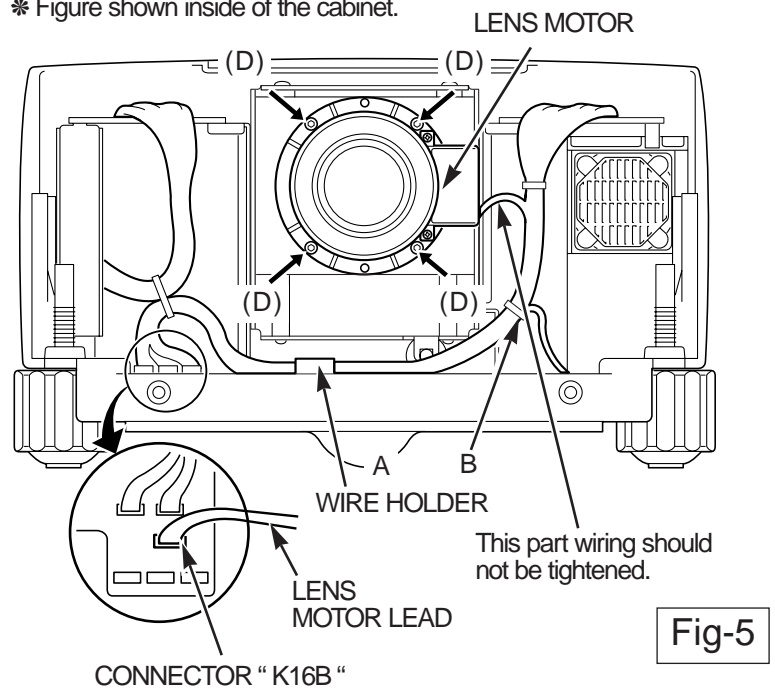


3 INSTALL THE LENS. (See figure-4,5.)

1. Mount the lens at the lens mounting bracket with screws (4 screws) included with the lens. Use the driver included with the lens to fasten the screws. (After using, save it for latter use.)
2. Connect the lens motor lead to the connector "K16B" of the circuit board.
3. Fasten the lens motor lead at the A, B points with wire holder.



* Figure shown inside of the cabinet.



4 MOUNT THE LENS COVER. (See figure-1)

When in install the both upper and lower lens covers, put the light-block sheet through the lens and install the sheet so that it should be placed in the guide slot of the lens cover. If the installation of the light-block sheet is incorrect, there will be the space between lens and the lens cover, so that it will be the cause of leakage of light or the dust entering at the main cabinet.