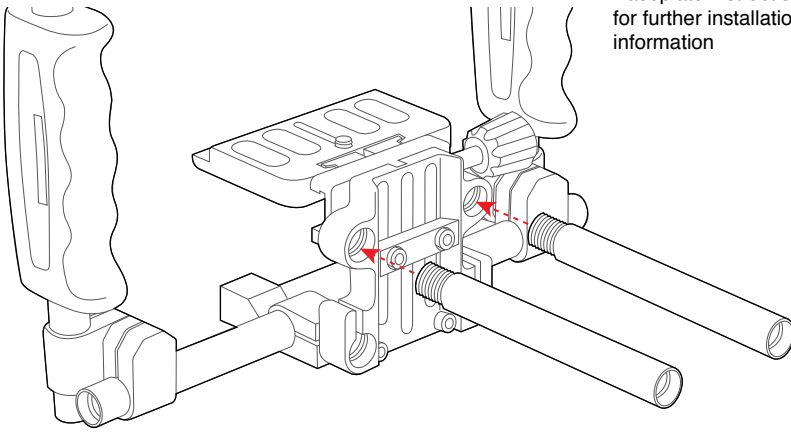




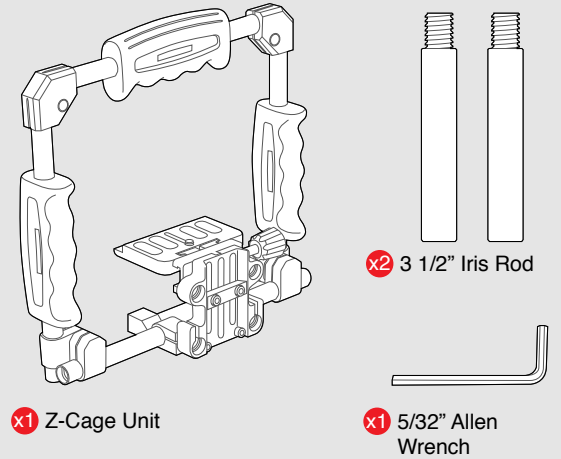
# Operating your Z-Cage

1 Install included Iris Rods into the baseplate

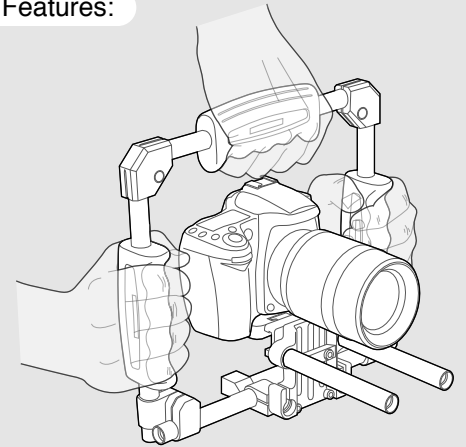
\* Refer to DSLR Baseplate instructions for further installation information



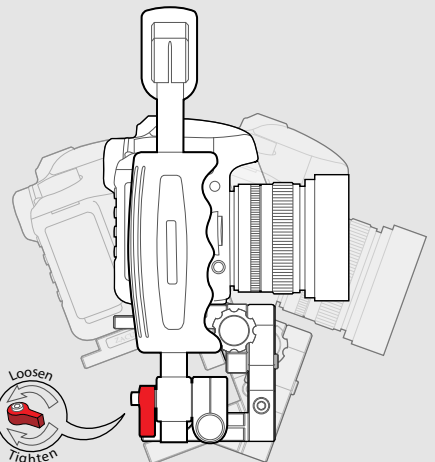
Included Parts:



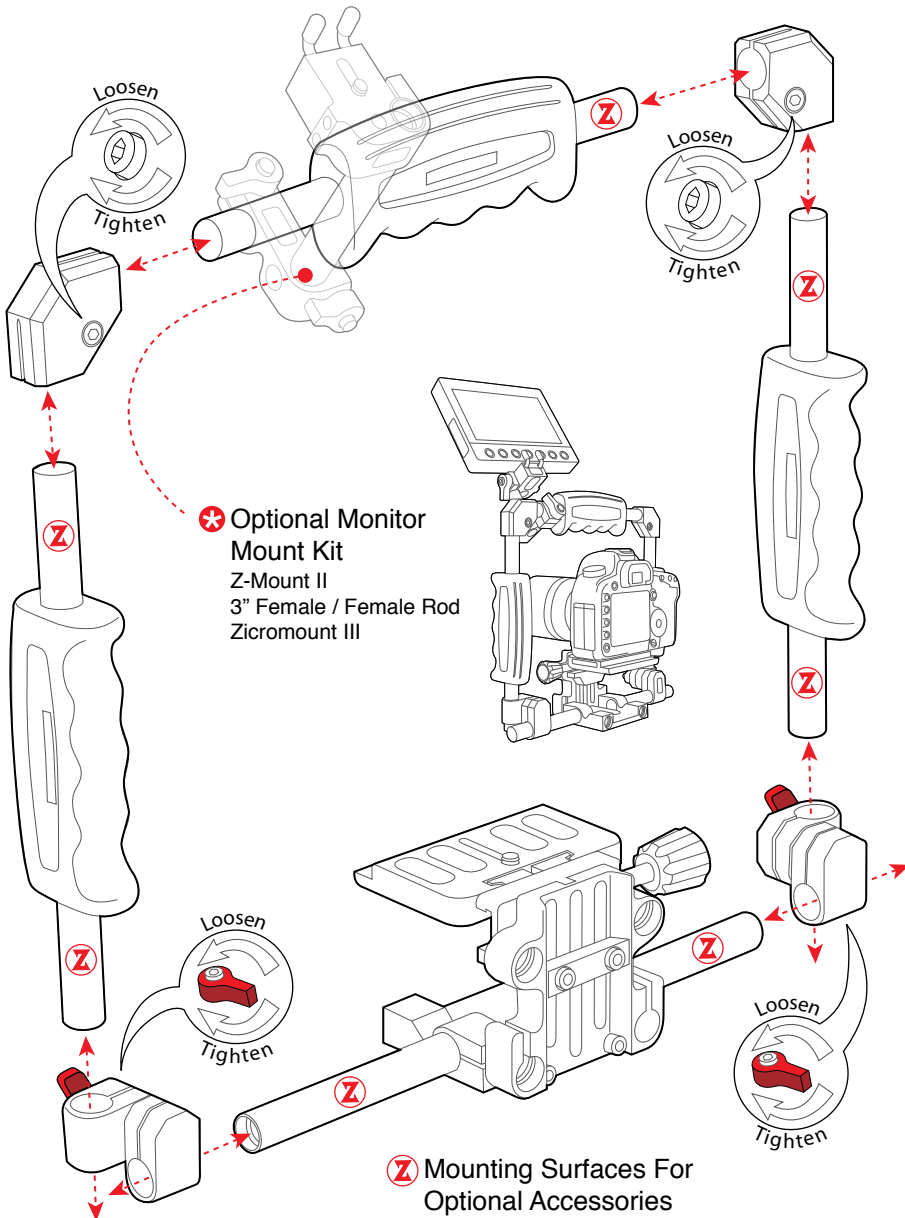
Features:



a Multiple points of contact



b Multiple shooting angles



\* Optional Monitor Mount Kit  
Z-Mount II  
3" Female / Female Rod  
Zicromount III

Ⓩ Mounting Surfaces For Optional Accessories

For more information, watch our tutorial video at [Zacuto.com](http://Zacuto.com)

