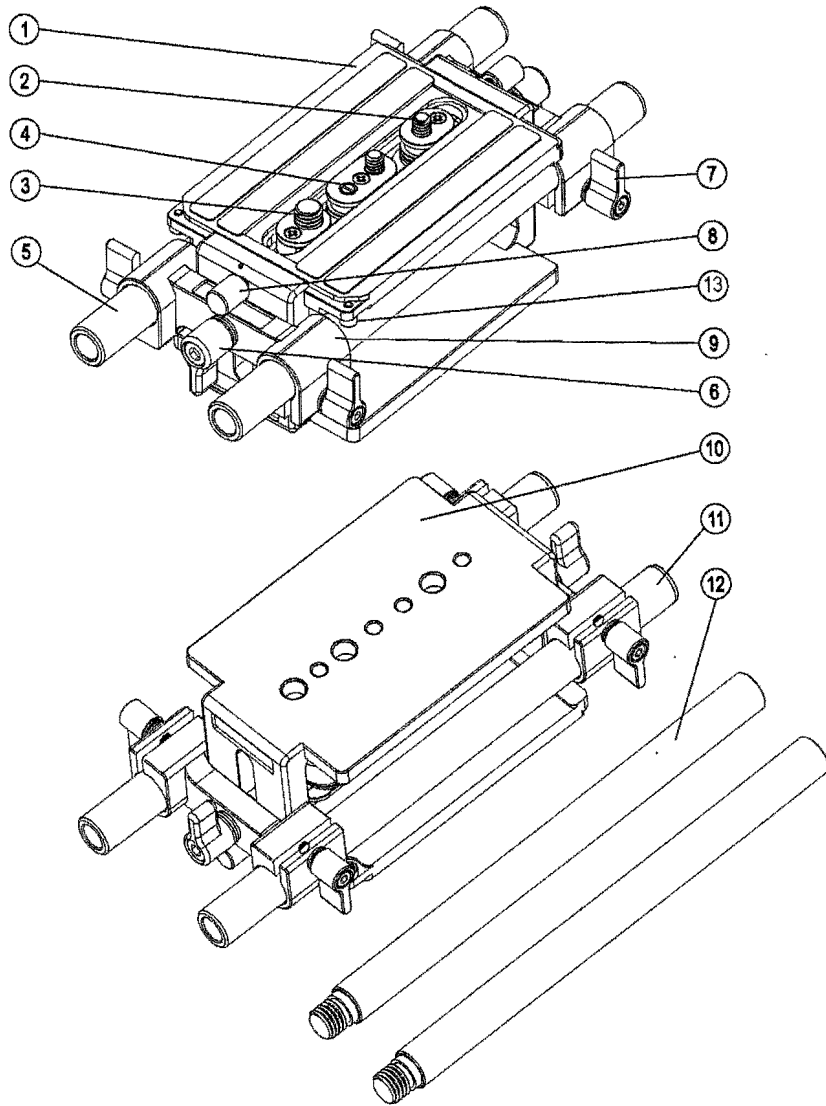
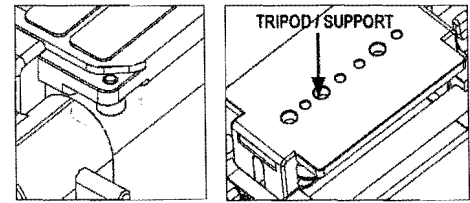


The **GMB-UP** Uni-Plate Adaptor Bars System

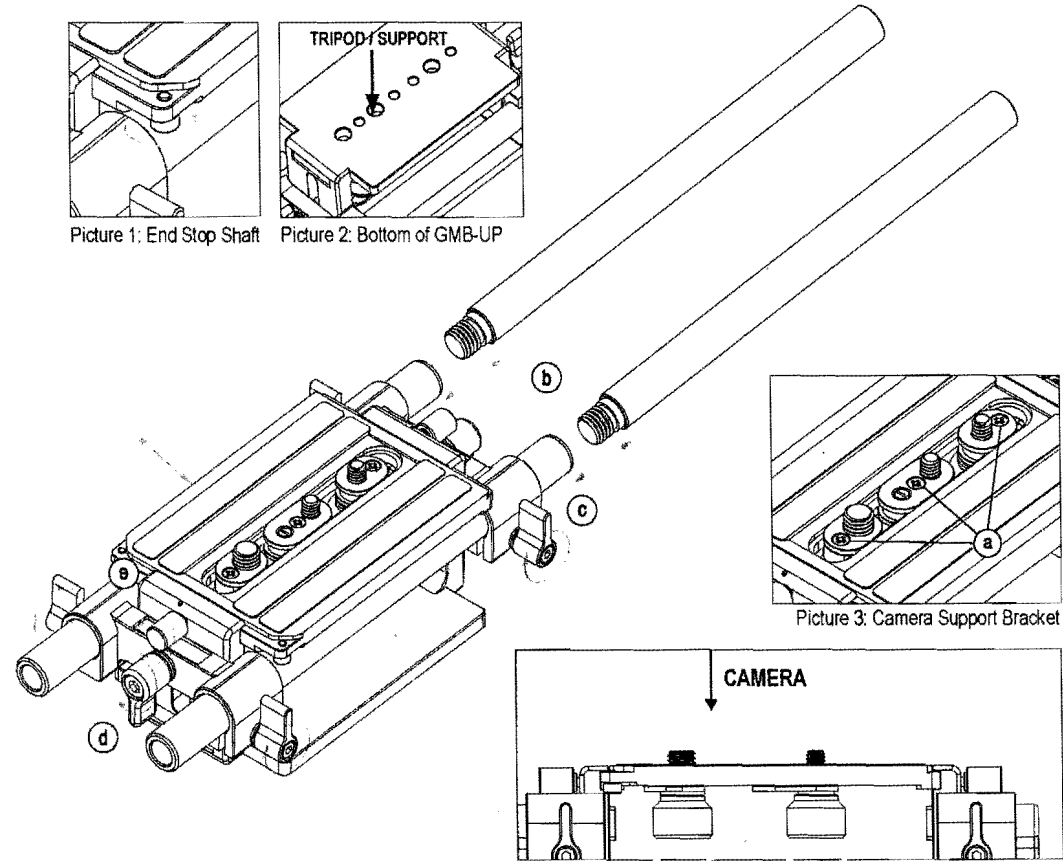
Instructions



- 1 Camera Plate
- 2 1/4" Camera Mount Screw
- 3 3/8" Camera Mount Screw
- 4 Locating Pin
- 5 Support Bars
- 6 Bar Support Bracket Knob Screw
- 7 Support Bar Knob Screw
- 8 Camera Plate Knob Screw
- 9 Bar Support Bracket
- 10 Tripod Adaptor Plate
- 11 215mm Support Bar
- 12 200mm Extension Bars with Female Threads
- 13 End Stop Shaft



Picture 1: End Stop Shaft Picture 2: Bottom of GMB-UP



Picture 3: Camera Support Bracket

Picture 4: Camera Mount Screw

- 1 Screw the end stop shaft to the Uni-Plate camera plate (Picture 1).
- 2 If attaching to tripod, attach tripod quick release plate to base of Uni-Plate via the appropriate screw holes on base (Picture 2).
- 3 Uni-Plate provides 1/4" & 3/8" camera mount screws (a), loosen the screw on the camera support bracket to detach the unused camera support bracket (Picture 3).
- 4 To attach the camera to the universal plate, tighten the camera mount screw into the camera mounting holes (Picture 4).
- 5 Screw the 200mm extension bars with female threads to the male threads of the 215mm support bar (b).
- 6 Loosen the support bar knob screws and insert the support bars via the holes (c).
- 7 Tighten all support bar knob screws.
- 8 Loosen the bar support bracket knob screws (d) and align the Matte Box to the lens.
- 9 Tighten all bar support bracket knob screws.
- 10 Loosen all camera plate knob screws and adjust the camera horizontally (e).
- 11 Tighten one camera plate knob screw.

Noted: 2 camera plate knob screws have been provide for securing the sliding plate for ease of access. For optimal operating condition, only tighten one side and leave the other screw loose.