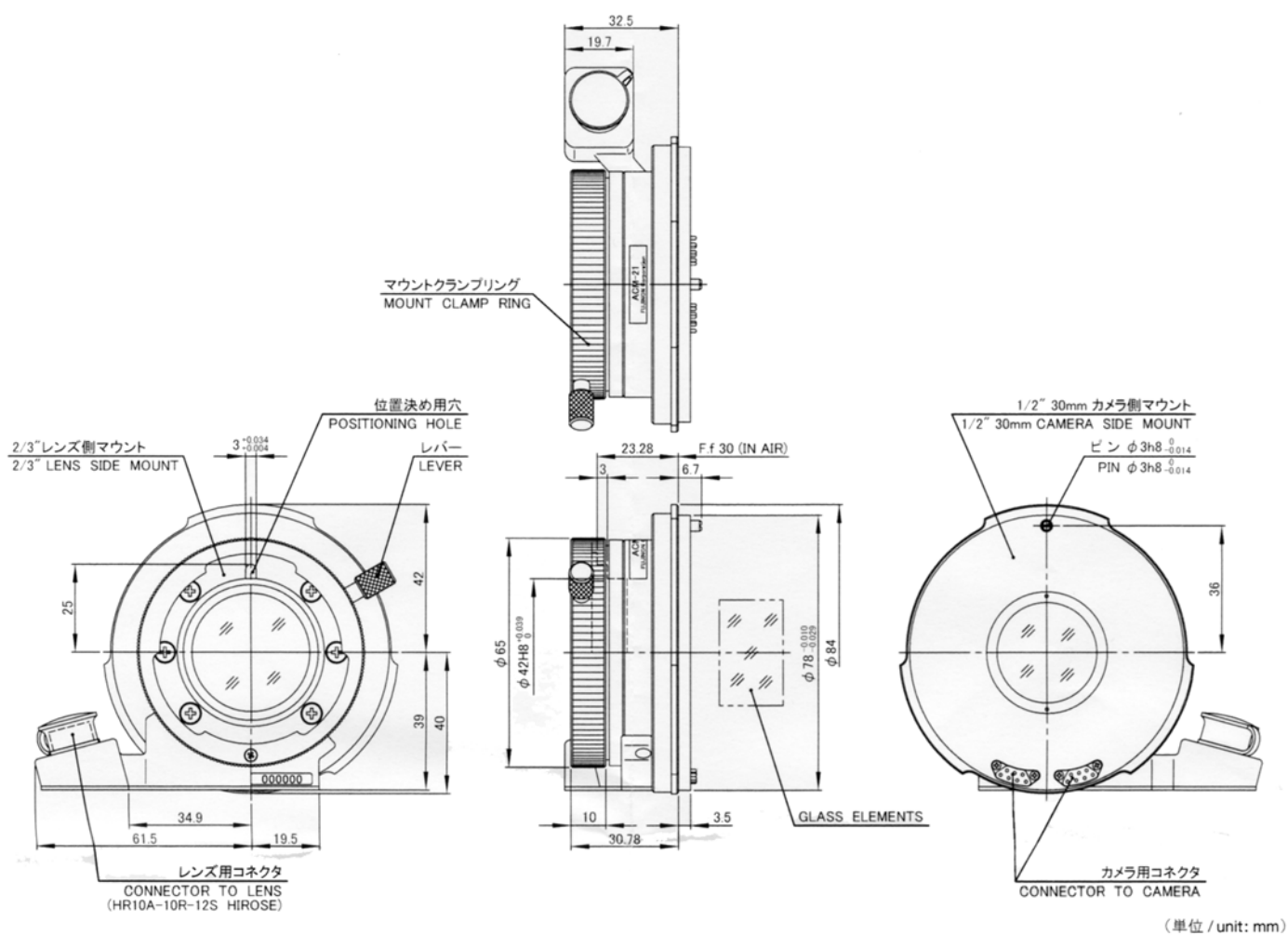


ACM-21



Note. Before installation, turn off the power of the Camera.

⚠ WARNING Be sure to attach all the parts securely. Dropping any parts from a height may cause severe accidents.

■ INSTALLATION OF CONVERSION ADAPTER ONTO LENS

- Remove the rear lens cap of the Lens.
- Remove the lens caps on both sides of the Conversion Adapter.
- Rotate the mount clamp ring of the Conversion Adapter fully counterclockwise as viewed from front of the Lens.
- Fit the mounting surface of the Lens with that of the Conversion Adapter aligning the pin on the Lens with the positioning hole in the Conversion Adapter.
- Rotate the mount clamp ring fully clockwise as viewed from front of the Lens.
- Connect "cable to camera" of the Lens to "connector to lens" of the Conversion Adapter.

■ INSTALLATION ONTO CAMERA

- Rotate the mount clamp ring of the Camera fully counterclockwise.
- Fit the mounting surface of the Conversion Adapter with that of the Camera aligning the pin on the Conversion Adapter with the slot in the Camera.
- Rotate the mount clamp ring fully clockwise.

ADJUSTMENT OF FLANGE FOCAL LENGTH

- Carry out the adjustment of the flange focal length on the Lens side.