

Stack- and rigging frames

for projectors

The Audipack stack and rigging frames

a sturdy solution to meet your needs



Audipack®

It's great to have solutions...

A **NEW** view on **projector rigging and stacking**



The Audipack PSF stack frame series is the safest way for handling a projector in rental and staging applications.

Audipack has developed a special lightweight frame that fits the projector like a glove. The strong, aluminium, light weight construction gives a good grip for lifting, table installation or installing the frame and projector to a truss.

The projector is fitted to the bottom frame on adjustable axes, which allow the projector to be lined up to the screen with high accuracy. Multiple frames can be easily connected and stacked for high output projection. The PSF stack-frames are available in standard sizes, and are also available in custom sizes on request.

- ▲ **New and modern design**
- ▲ **Lightweight 50 mm tubular construction**
- ▲ **Easy to adapt to any projector brand and type**
- ▲ **Integrated fine tune 3D adjustment**
- ▲ **Rotating mounting points for flying installation**
- ▲ **T-Slot mounting in tubes for accessory installation**
- ▲ **5 times overload Safety factor**
- ▲ **Custom models available on request**



Visit www.audipack.com for product wizard and list of models

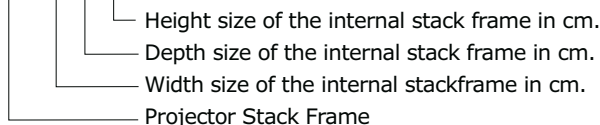
Optional:
 Double coupler truss clamp: **260210**
 Stainless steel security cable: **399941**

STACK FRAMES



Order explanation:

PSF-608525



***Note:**

To order your stack frame make sure that your projector including cables and lens fits in the internal dimensions of the stack frame

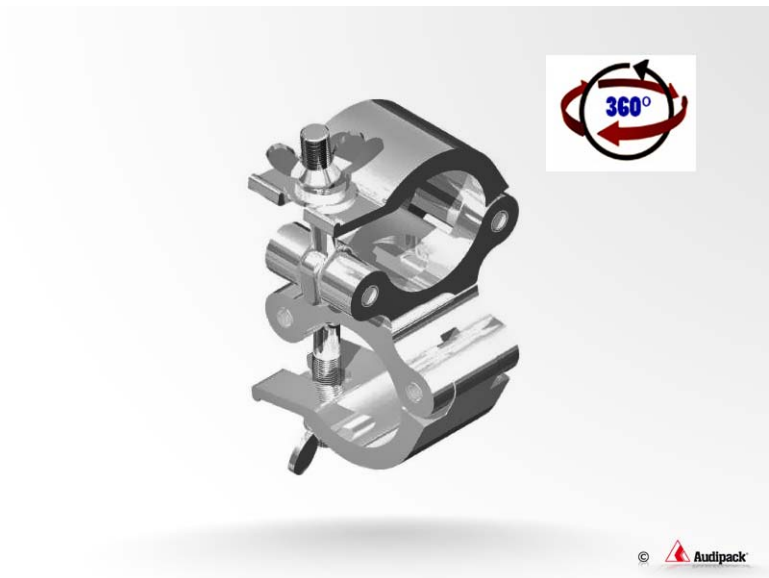
Ref. Max. projector* dimensions in mm	PSF-374418 W 370 x D 440 x H 180	PSF-465422 W 460 x D 540 x H 220	PSF-504216 W 500 x D 420 x H 160	PFS-504718 W 520 x D 470 x H 180	PFS-505218 W 500 x D 520 x H 180	PFS-505620 W 500 x D 560 x H 200
	PSF-547417 W 540 x D 740 x H 170	PSF-554422 W 550 x D 440 x H 220	PSF-578030 W 570 x D 800 x H 300	PFS-608525 W 600 x D 850 x H 250	PFS-655830 W 650 x D 580 x H 300	PFS-658530 W 650 x D 850 x H 300

STACK FRAMES CLASSIC

Custom sizes available on request



Ref. Max. projector dimensions in mm	P3478 W 320 x D 430 x H 170	P5348 W 400 x D 525 x H 235	P5217 W 500 x D 425 x H 160	P5343 W 520 x D 600 x H 255	P2895 W 570 x D 783 x H 243	P3723 W 570 x D 783 x H 293
Ref. Max. projector dimensions in mm	P3593 W 579 x D 641 x H 270	P3657 W 580 x D 860 x H 243	P5045 W 605 x D 565 x H 293	P5406 W 650 x D 860 x H 305	P5515 W 385 x D 1015 x H 385	



Installation and user manual PSF projector Stack-Frames

***For the maximum allowed load of the stack-Frame
check the product label.
Install the projector only with an Audipack projector
mount***



3.

General features:

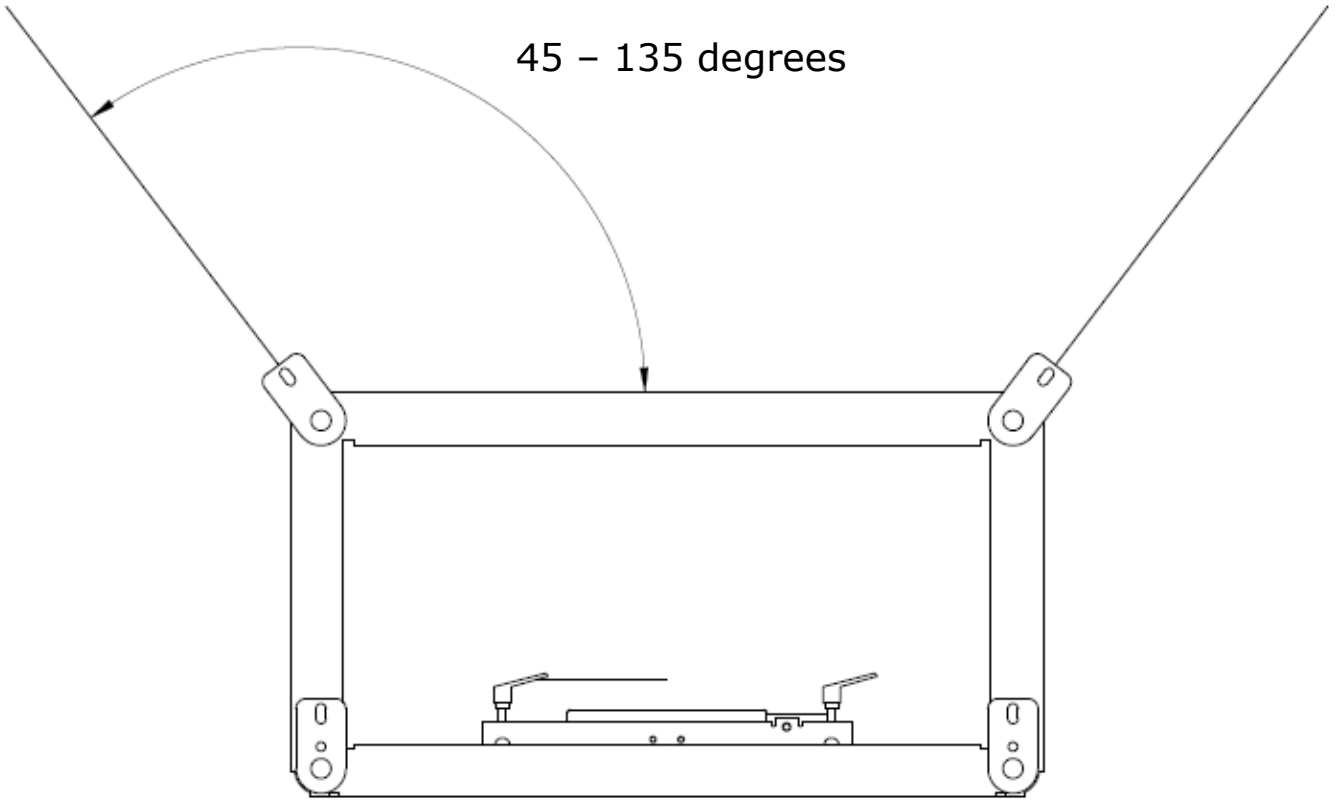
Lockable cable mounting ears

Stackable with standard truss double couplers

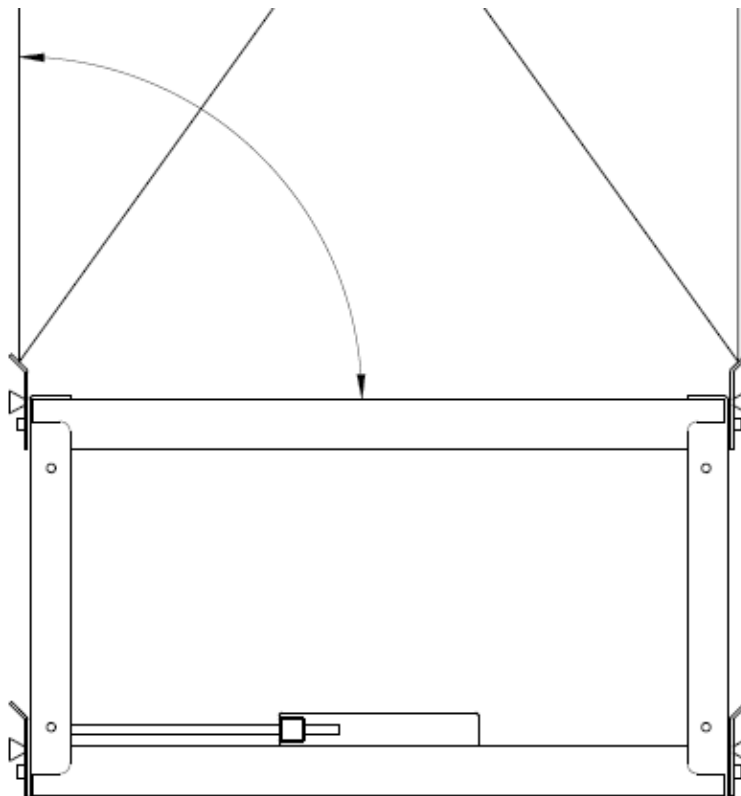


Max. installation angles of suspension cables!
Never exceed the maximum allowed payload of the stack-frame.
On the product sign the max. projector load is mentioned.

45 – 135 degrees



45 – 90 degrees



Copyright Audipack

3.
Adjustment features

1. Left side up / down (tilt)
2. Right side up / down (tilt)
3. Left and right pan

