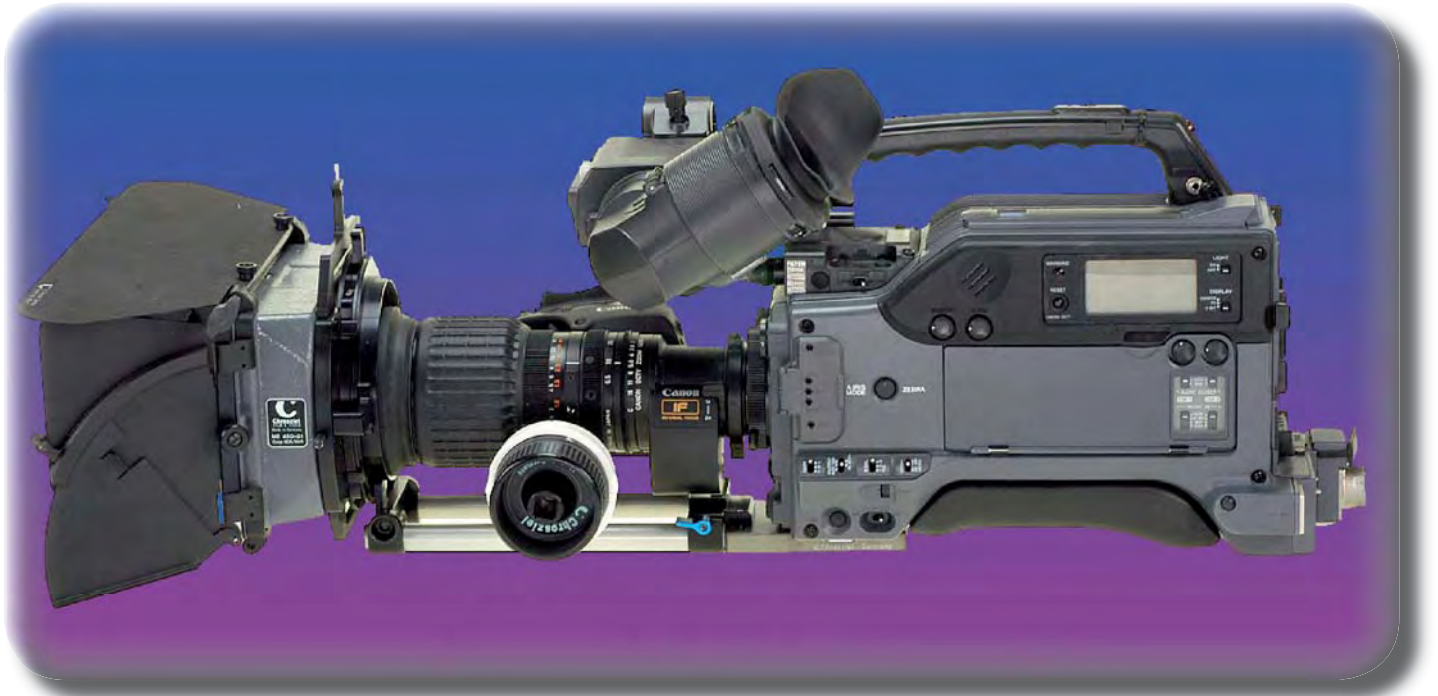


MATTBOX & FIXRIG POUR CAMESCOPE SONY PROFESSIONNEL



DV Studio rig - follow focus system

DV-Studio rig basic unit consisting of:

- * 1 main unit, incl. handwheel
- * 1 scale (205-02)

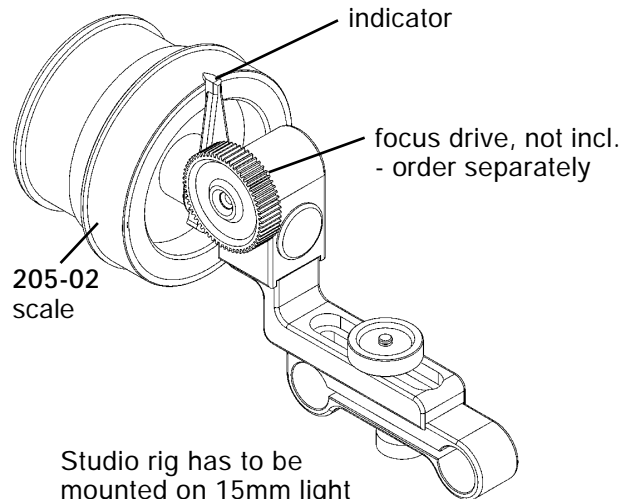
DV Studio rig (206-01S) is designed as one complete unit with fixed handwheel. For one side operation only!

Especially designed for DV cameras - small and light weight.
DV-Studio rig can be used for lenses equipped with gear ring!

Focus drives of 203-01 and 201-01 studio rigs do NOT fit to DV Studio Rig 206-01S!
To complete your DV Studio rig, please order below listed focus drive according to modul of lens.

Drawing shows:

- * **basic unit 206-01S**
- * **focus drive**



Studio rig has to be mounted on 15mm light weight support rods, see page 39

SUPPORT & MISE AU POINT POUR CAMERAS SONY PROFESSIONNEL



Rotation d'un des filtres



2 portes filtres

DIAMETRES DES OBJECTIFS DES CAMERAS DV

DIAMETRES en mm | **EXTERNE**

CANON		
XL-1 / XL-2	72	
XM-1 / XM-2	58	
GL-1 / GL-2	58	

SONY		
PD-100	52	
PD-150 / 170	58	
PD-X10	37	
10P	37	
TRV-900	52	
TRV-950	37	
VX-1000	52	
VX-9000	52	
VX-2000	58	
DSR-200	52	
DSR-250	58	
DSR-390		85
HVR- Z1U	72	
HDR-FX1	72	

PANASONIC		
DVX-100	72	
AG-EZ1	52	
NV-DX1E	52	

JVC		
GY-DV300	52	
GY-100 / 101		85

CENTURY CONVERTEUR		
DS65CV-00		80
VS06WA-HDS		95
VS07CV-DVX		95
VS07CV-XL2		95
VS07CV-HDS		105
VS16TC-DVX		105
VS16TC-XL		105
VS16CV-HDS		105
DS20TC-SB		80
DS20TC-58		80
DS1609-SB		80

DROITS RESERVES CEV.FR