

FUJINON
FUJIFILM

cev.fr

1/3" Bayonet Mount lens
HD ENG Lens
Professional ENG Lens

Th13x3.5BRM



Pursuit for high-performance and low-cost. FUJINON 1/3" Bayonet-Mount lens series



HD
HIGH-DEFINITION

DIGI
POWER

~~HTs18x4.2BRM/BERM~~

- 18x high performance and high image quality lens
- f=4.2mm at the wide-angle end
- Digital servo control system DIGI POWER
 - Quick zoom
 - One-shot preset
 - Zoom limit
 - Zoom mode selection
 - Auto cruising zoom
 - Maximum zoom speed adjustment
 - Serial communications control

*BERM has a built-in extender.

Th13x3.5BRM

- 13x high-quality superwide-angle lens
- Minimized focus breathing adaptable for movie shooting and production
- f=3.5mm at the wide-angle end

~~Th17x5BRM~~

- 17x Standard lens
- Cost-effective design using broadcast lens technologies.
- Compact and lightweight ENG lens for good balance with a camera



~~Th17x5BMD~~

- 17x standard remote control lens
- Cost-effective design using broadcast lens technologies



Specifications

	HD HIGH-DEFINITION HTs18x4.2BRM	HD HIGH-DEFINITION HTs18x4.2BERM	Th13x3.5BRM	Th17x5BRM	Th17x5BMD
Application	1/3"	1/3"	1/3"	1/3"	1/3"
Focal length	4.2-76mm	4.2-76mm [8.4-152mm]*	3.5-46mm	5-85mm	5-85mm
Zoom ratio	18x	18x	13x	17x	17x
Maximum relative aperture	F1.4	F1.4 [F2.8]*	F1.4	F1.4	F1.4
Minimum object distance (M.O.D.)	0.6m (from front lens)	0.6m (from front lens)	0.4m (from front lens)	0.9m (from front lens)	0.9m (from front lens)
Object dimensions at M.O.D. [16:9 Aspect ratio]	4.2mm 728x409mm 76mm 40x23mm	4.2mm 727x409mm [364x205mm]* 76mm 40x23mm [20x11mm]*	3.5mm 660x371mm 46mm 53x30mm	5mm 872x490mm 85mm 51x29mm	5mm 872x490mm 85mm 51x29mm
Angular field of view [16:9 Aspect ratio]	4.2mm 63°49'x38°35' 76mm 4°00'x2°13'	4.2mm 63°49'x38°35' [34°35'x19°51']* 76mm 3°56'x2°13' [1°52'x1°6']*	3.5mm 72°32'x45°34' 46mm 6°30'x3°40'	5mm 55°13'x32°46' 85mm 3°31'x1°59'	5mm 55°13'x32°46' 85mm 3°31'x1°59'
Minimum object distance (from front lens)	0.05m	0.05m	0.04m	0.05m	0.05m
Macro	Standard	Standard	Standard	Standard	Standard
Filter thread	M82x0.75	M82x0.75	M82x0.75	M82x0.75	M82x0.75
Mass (without lens hood)	Approx. 1.53kg	Approx. 1.58kg	Approx. 1.68kg	Approx. 1.25kg	Approx. 1.3kg
Operation	RM:Manual focus/Servo zoom	RM:Manual focus/Servo zoom	RM:Manual focus/Servo zoom	RM:Manual focus/Servo zoom	MD:Motor drive

*Numerical value in [] with using extender (2x).

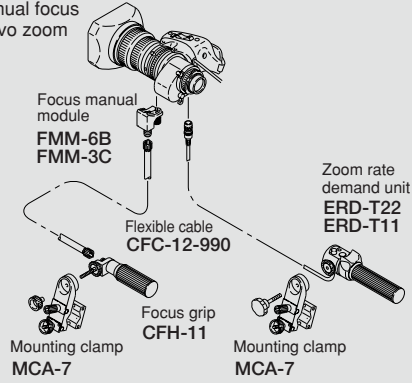
Control Accessories

HTs18×4.2BRM/BERM



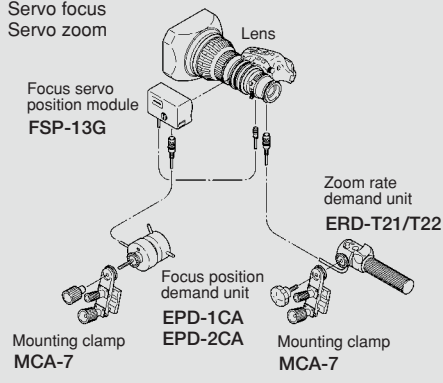
[MS-11]

Manual focus
Servo zoom



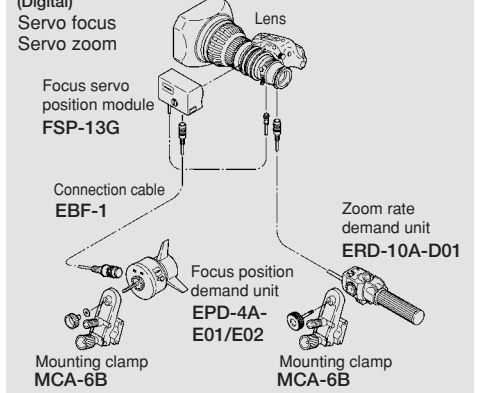
[SS-11]

Servo focus
Servo zoom



[SS-11D]

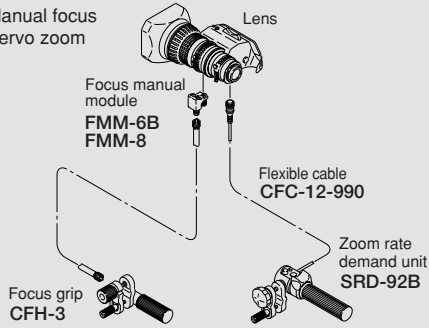
(Digital)
Servo focus
Servo zoom



Th13×3.5BRM / Th17×5BRM

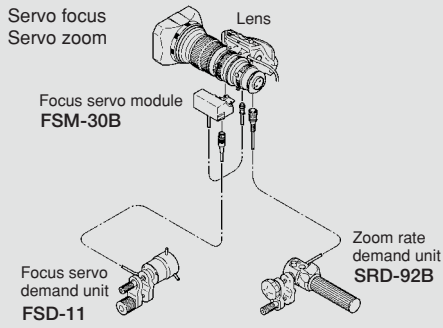
[MS-01]

Manual focus
Servo zoom

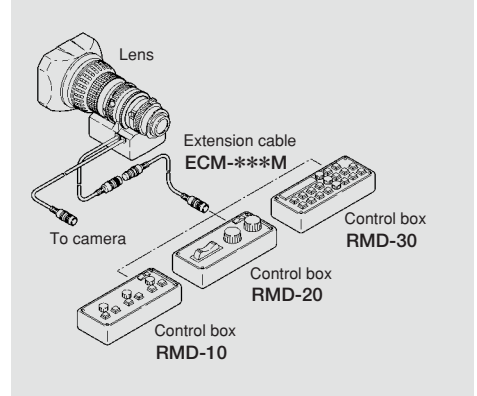


[SS-01]

Servo focus
Servo zoom

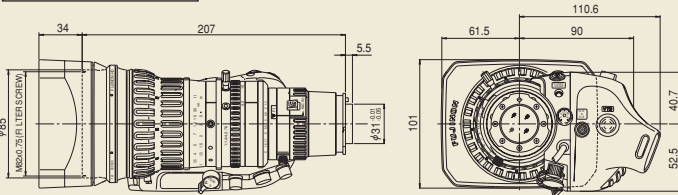


Th17×5BMD

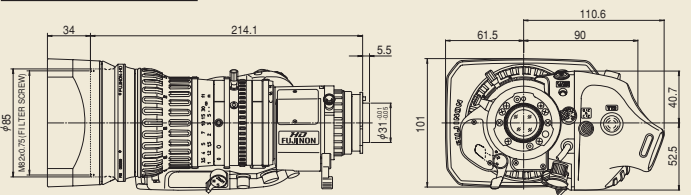


Measurement

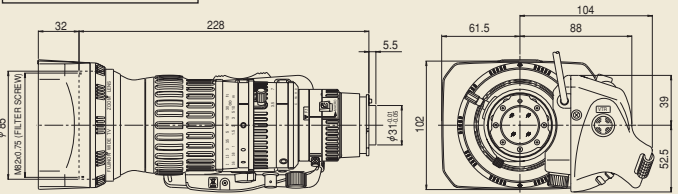
HTs18×4.2BRM



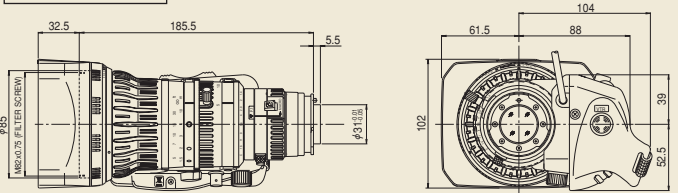
HTs18×4.2BERM



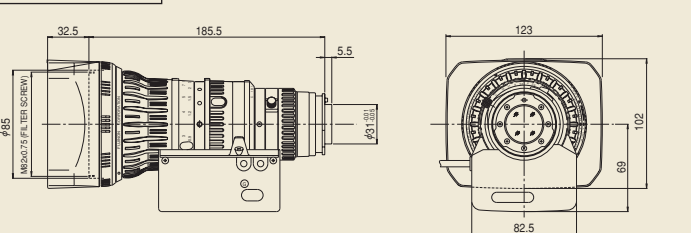
Th13×3.5BRM



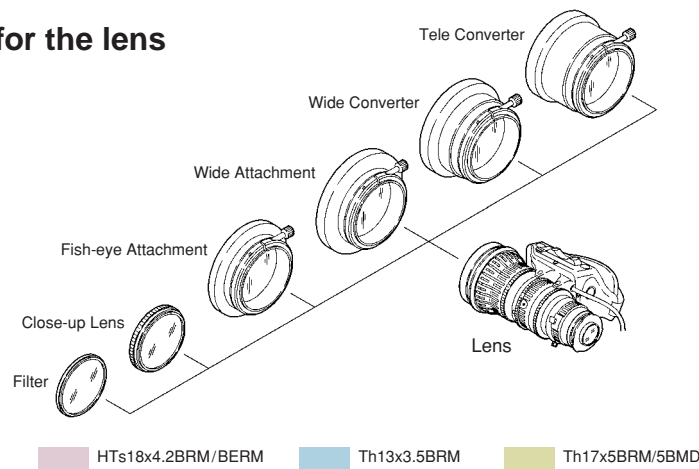
Th17×5BRM



Th17×5BMD



Optical accessories for the lens



Accessory name	Model	Magnification	Focal length (mm)		Minimum object distance (m)		Mass (kg)
Tele Converter	TCV-H85	1.5x	76 → 114 (telephoto end)		2.3		1.10
	TCV-85C	1.6x	1.6x	46 → 73.6 (telephoto end)	85 → 136 (telephoto end)	1.02	2.3
Wide Converter	WCV-H85	0.8x	4.2 → 3.36 (wide-angle end)		0.58		1.05
	WCV-85D	0.8x	0.8x	3.5 → 2.8 (wide-angle end)	5 → 4 (wide-angle end)	0.26	0.58
Wide Attachment	WAT-H85	0.7x	4.2 → 2.94 (wide-angle end)		0.44		0.36
	WAT-85C	0.7x	0.7x	3.5 → 2.45 (wide-angle end)	5 → 3.5 (wide-angle end)	0.2	0.44
Fish-eye Attachment	F-ATH85	0.57x	4.2 → 2.39 (wide-angle end)		0.27		0.36
	F-AT85C	—	0.55x	—	5 → 2.75 (wide-angle end)	—	0.27

*The fish-eye attachment cannot be used on Th13x lenses.

Accessory name	Model	Object distance range (m)	Aspect ratio	Object dimensions (mm)	
				Wide-angle end	Telephoto end
Close-up Lens	ECL-8082	0.8 — 0.44	16 : 9	996 x 560 — 416 x 234	55 x 31 — 23 x 13
			4 : 3	627 x 470 — 307 x 231	37 x 28 — 18 x 14
		0.8 — 0.27	16 : 9	1195 x 672 — 440 x 247	91 x 51 — 35 x 20
			4 : 3	896 x 672 — 329 x 247	68 x 51 — 25 x 20
0.8 — 0.44	16 : 9	837 x 470 — 410 x 231	49 x 28 — 24 x 14		
	4 : 3	627 x 470 — 307 x 231	37 x 28 — 18 x 14		

Accessory name	Model	Description	
UV Filter	EFL-82UV	<ul style="list-style-type: none"> UV filter absorbs ultraviolet rays, cuts haze. No effect on exposure and color temperature. Protects front lens element of master lens. 	
Skylight Filter	EFL-82SL	<ul style="list-style-type: none"> Skylight filter ideal for clear days reduces blue-green look in shadow areas. No effect on exposure and color temperature. Protect front lens element of master lens. 	
ND Filter	EFL-82N2 EFL-82N4 EFL-82N8	<ul style="list-style-type: none"> ND(Neutral density) filter reduces the light of all wavelengths that enter a lens. Allows picture taking of bright scenes with wider lens apertures. ND2 reduces light by 1/2, ND4 by 1/4, ND8 by 1/8. No effect on color temperature. 	
Cross screen Filter	EFL-82CS	4 cross	Cross filter is used to enhance the beauty of a shot by creating a "Cross" effect around a point of light or spectral highlight. Cross filter can produce from four to as many as sixteen star points and are commonly used in concerts or outdoor productions.
Snow cross Filter	EFL-82SN	6 cross	
Sunny cross Filter	EFL-82SU	8 cross	
Soft focus Filter	EFL-82SF	Soft focus filter produces an overall softness while creating a luminous glow to highlights.	
Polarization Filter	EFL-82PL	<ul style="list-style-type: none"> Polarizing filter reduces polarized light reflections from glass and water surfaces or to improve color saturation. Enhances picture quality by blocking harmful reflected light. Circular type 	

Due to a continuous process of product improvement, design and specifications are subject to change without notice.



For your safety
Be certain to read the instructions for use before using any equipment.

FUJINON

FUJIFILM

Japan / Northeast Asia

FUJINON CORPORATION
1-324 Uetake, Kita-ku, Saitama City,
Saitama, 331-9624, Japan
TEL. +81-48-668-2152 FAX. +81-48-651-8517
E-mail: sales@msv.fujinon.co.jp
URL <http://www.fujinon.co.jp/>

North & South America

FUJINON INC.
10 High Point Drive, Wayne,
NJ 07470-7434, U.S.A.
TEL. +1-973-633-5600 FAX. +1-973-633-5216
E-mail: lens.sales@fujinon.com
URL <http://www.fujinon.com/>

Europe / Africa / Middle East

FUJINON (EUROPE) GmbH
Halskestrasse 4, 47877 Willich,
Germany
TEL. +49-2154-924-0 FAX. +49-2154-924-290
E-mail: fujinon@fujinon.de
URL <http://www.fujinon.de/>

Southeast Asia / West Asia

FUJINON SINGAPORE PTE. LTD.
BLK211 Henderson Road, #10-04,
Henderson Industrial Park, Singapore 159552
TEL. +65-6276-4988 FAX. +65-6276-6911
E-mail: fujinon@fujinon.com.sg
URL <http://www.fujinon.com.sg/>

China

FUJINON HONG KONG LTD.
Unit 2605-2607, Level 26,
Metroplaza Tower 1, 223 Hing Fong Road,
Kwai Fong N.T., Hong Kong
TEL. +852-2311-1228 FAX. +852-2724-1118
E-mail: enquiry@fujinon.com.hk
URL <http://www.fujinon.com.cn/>

Oceania

FUJINON AUSTRALIA PTY. LTD.
Unit-18, 52 Holker Street, Silverwater,
N.S.W. 2128, Australia
TEL. +61-2-9748-2744 FAX. +61-2-9748-2428
E-mail: sales@fujinon.com.au



Recycled paper

GVE-063-00 Printed in Japan 07.03 BR.3000