

LENS REPLACEMENT PROCEDURE

Perform the steps **1** to **6** for lens replacement.

First set the lens at the fully lower position with lens shift adjustment.

1 REMOVE THE LENS COVER AND FRONT CABINET

1. Turn the lens cover to counter-clockwise and pull it toward front and remove the Lens Cover.
2. Remove 2 Screws-A.
3. Remove the front cabinet

See Figure-1-1 and 2.

1. Remove 2 Screws-A.
2. Remove the front cabinet

See Figure-1-2 and 2.

1. Pull Lens Cover toward front and remove it.
2. Remove 2 Screws-A.
3. Remove the front cabinet

See Figure-1-3 and 2.

2 REMOVE THE LIGHT-BLOCK SHEET BASE AND LIGHT-BLOCK SHEET (See Figure-2)

1. Slide the light-block sheet base upward and remove it.
2. Remove the light-block sheet from lens.

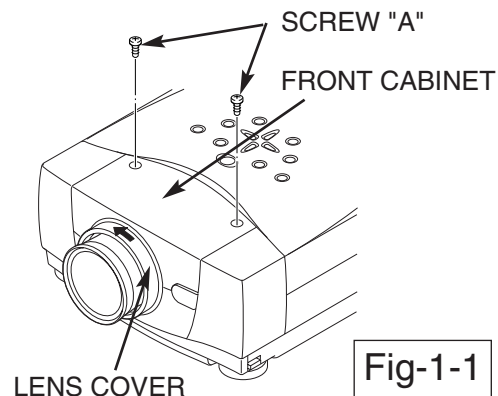


Fig-1-1

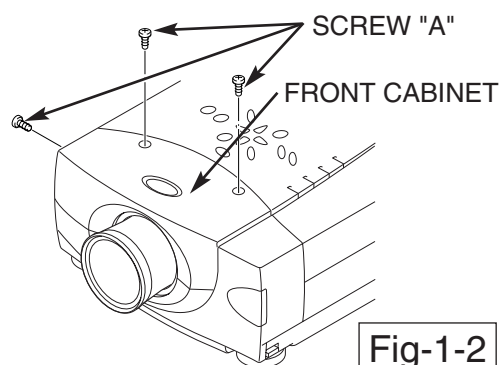


Fig-1-2

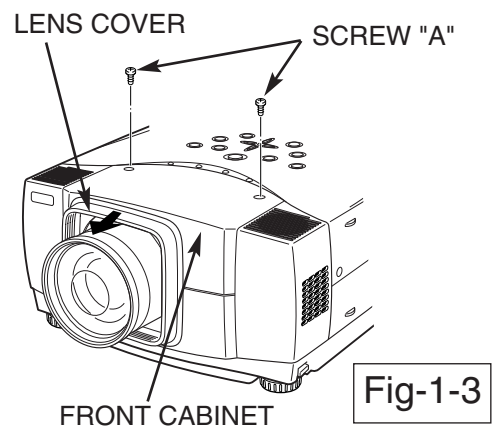


Fig-1-3

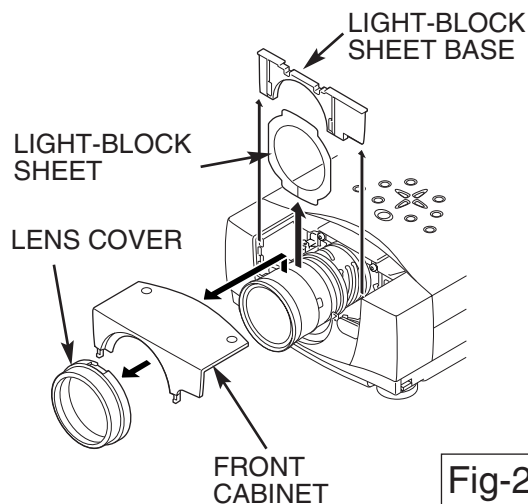


Fig-2

3 REMOVE THE LENS (See Figure-3 and 4)

1. Remove the lens motor connector from terminal.
2. Loosen the screws-B (2 screws) which fastens the lens. (Use the driver included with the lens to loosen the screws.)
3. Slide the lens lock latches to "UNLOCK" position and remove the lens.

Be careful not to drop the lens when removing the screws. After using, save the driver for latter use.

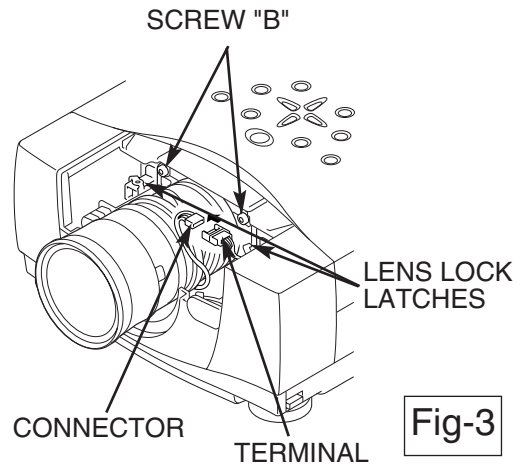


Fig-3

LENS LOCK LATCHES

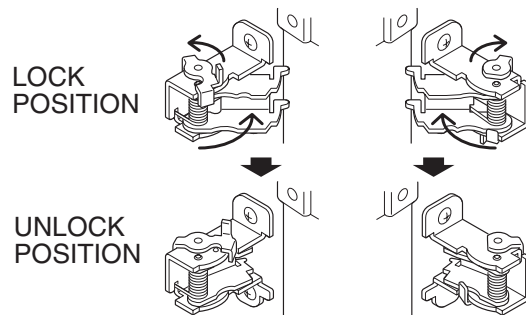


Fig-4

4 MOUNT THE LENS (See Figure-5)

1. Remove protective caps (front and back) on the lens.
2. Mount the lens on lens mounting bracket with Upper 2 screws. (locate motor on left side). Use the driver included with the lens to fasten the screws.
3. Slide the lens lock latches to "LOCK" position and lock the lens. (See Figure-4)
4. Connect the lens motor connector to terminal. (See Figure-3)

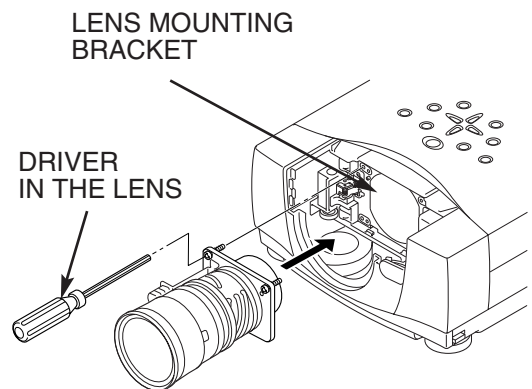


Fig-5

5 MOUNT THE LIGHT-BLOCK SHEET AND LIGHT-BLOCK SHEET BASE
(See Figure-6-1 and 6-2)

1. Mount the light-block sheet on the lens as shown in the Figure-6-1 and 6-2. (In the same position as the removed sheet has been placed). Use the sheet included with the lens. Make sure the part no. and mark (TOP and BACK) on Light-Block Sheet and set them properly.
2. Mount the light-block sheet base.

FOR LNS-S30

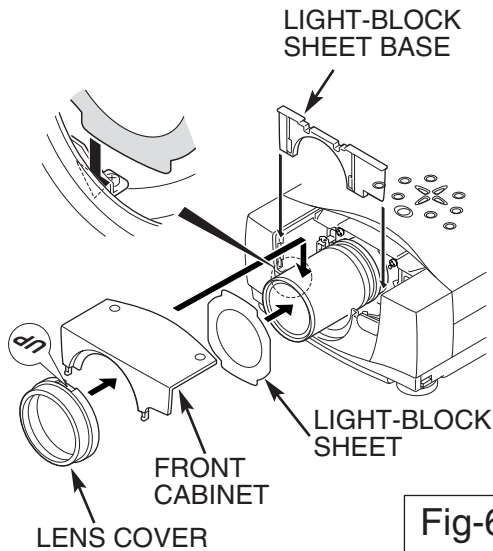


Fig-6-1

FOR LNS-S31

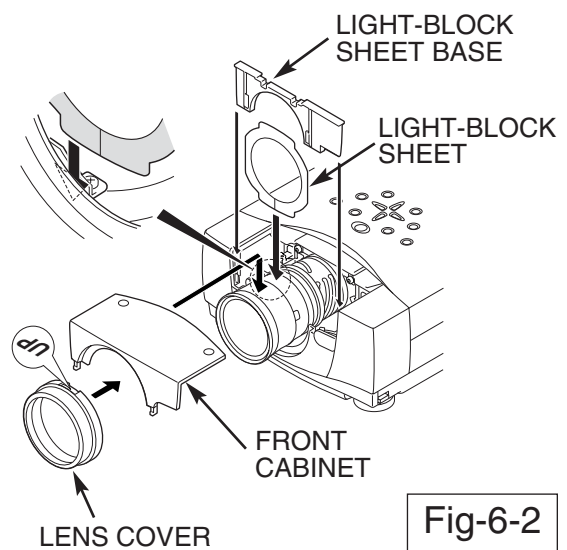


Fig-6-2

6 MOUNT THE FRONT CABINET AND LENS COVER
(See Figure-6-1, 6-2 and 7)

1. Mount the front cabinet with 2 screws.
2. Mount the lens cover.

For the cabinet Fig. 1-1, position the marked UP of Lens Cover on top and push in to the front cabinet and turn the Lens Cover fully clockwise until it is properly locked.

For the cabinet Fig. 1-3, push the Lens Cover onto the cabinet

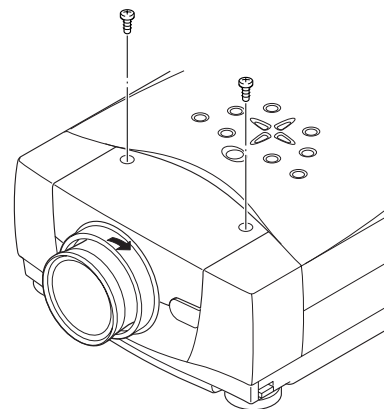


Fig-7